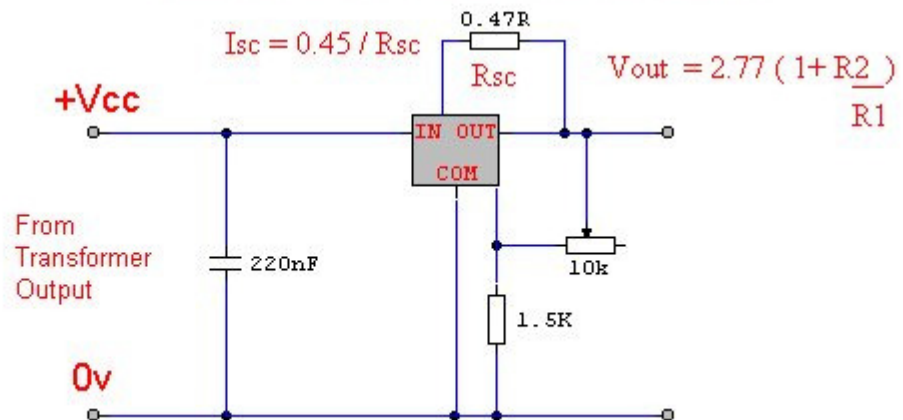


L200 Regulator Circuit

Variable PSU with Current Limit



Notes:

It is very easy to build a power supply with one single IC, the L200. In addition, the L200 offers a variable current limit of up to 2amp, as well as voltage regulation. In the above diagram the output voltage can be calculated where R_1 is the 1.5k resistor, and R_2 the variable 10k resistor. To make a variable current limit, you need to alter the value of the 0.47 ohm resistor.